

W A V E L I G H T [®]

U.S. Patent 5,902,032

FEATURES :

- **FLUID MOVING LUMIA EFFECT (WATER RIPPLE)**
- **COMPACT LIGHT WEIGHT UNIT**
- **ADJUSTABLE EFFECTS SPEED AND VARIABLE FOCUS**

EFFECT

Lumia effects are fluid, moving cloud-like projections that have long been a popular laser effect. Now PPS introduces the Wavelight, model WVL-1, an incandescent projector that eliminates the expenses, restrictions and regulations associated with laser light sources.

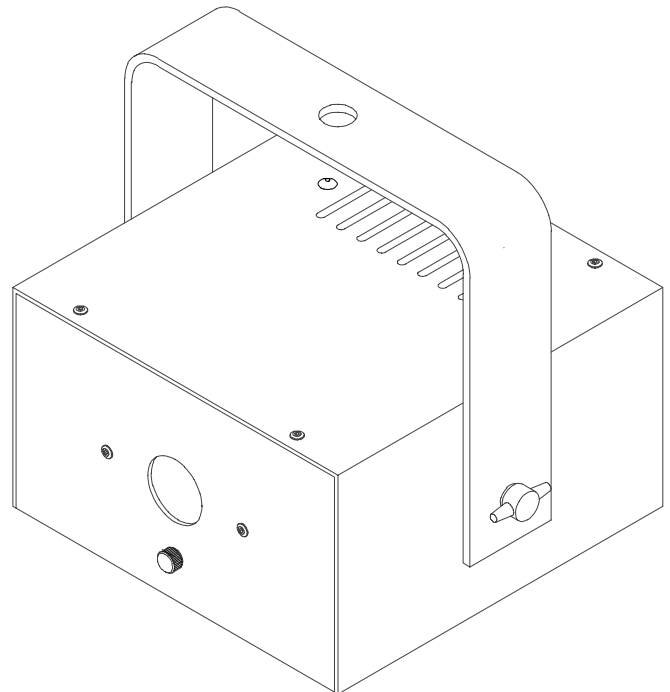
HARDWARE

Extremely compact, (6" x 6" x 3.5") with high optical efficiency, wide beam spread and low heat output. Operates on low voltage AC. Two rotating pattern wheels. Single MR-11 light source. 20 or 35 watt lamps available. 2000 hour lamp life. Convection cooling eliminates fan noise. Internal baffles reduce light spill. High quality gear motors for smooth motion and silent operation at all speeds. Built in gel or filter slot.

APPLICATION

The most popular use of these fixtures is to produce moving water ripple, smoke and cloud effects. A wide variety of patterns can be produced using different pattern wheels. Focus is adjustable, as is the speed and direction of each pattern wheel.

This fixture can bring brilliant, dynamic moving pattern projection to places where it hasn't been practical before; in architectural, display, and effects environments with low ceilings and short throws. The small size, low heat output, silent operation, high optical efficiency, and wide pattern spread of these fixtures allow unobtrusive application either individually or in arrays to suit virtually any space.

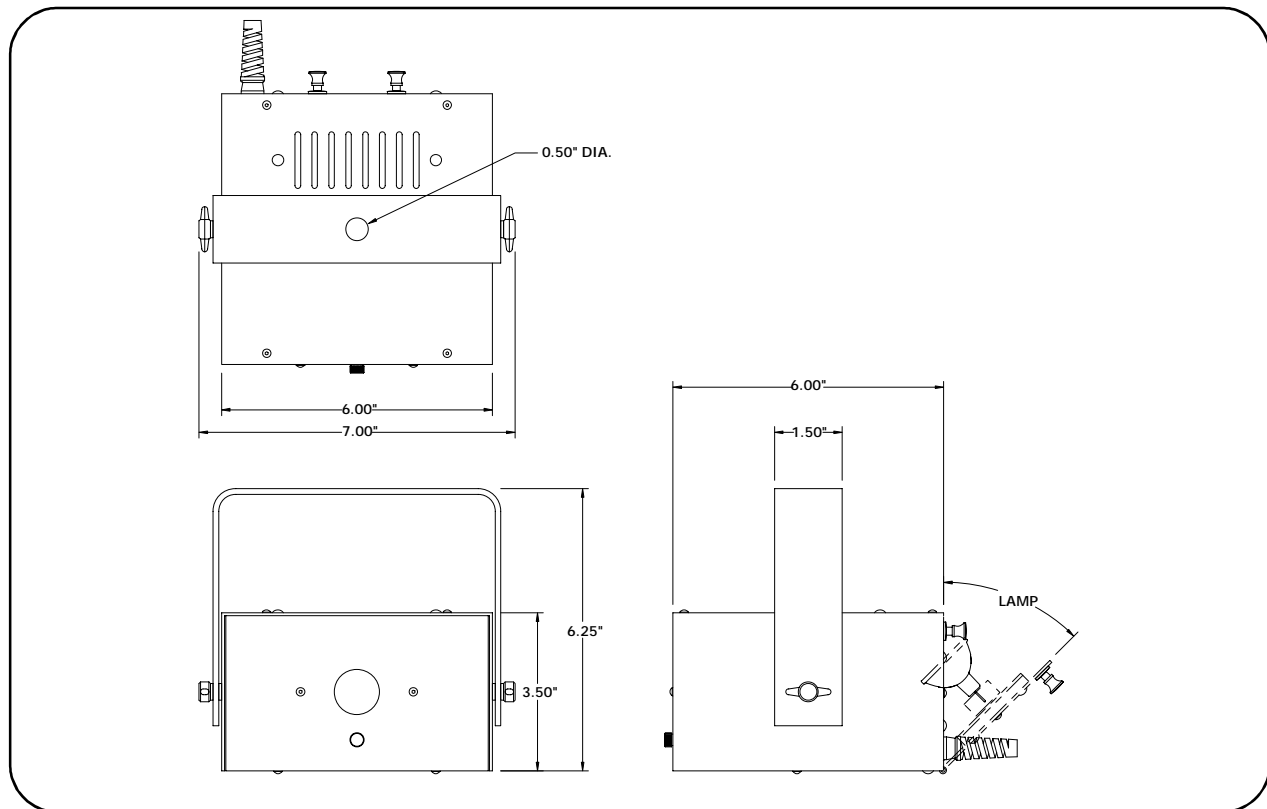


- ***Theater, Film, Video.***
- ***Architectural / Residential***
- ***Display Lighting***



PRECISION PROJECTION SYSTEMS, INC.
17508 STUDEBAKER ROAD, CERRITOS, CA. 90703
562 865-8552 TEL 562 924-7133 FAX
EMAIL: info@ppsfx.com

SPECIFICATIONS



MECHANICAL

- Housing: .060 Aluminum
- Finish: Black Anodized or White Powder Coat
- Yoke: 1.50" x .125" Aluminum
.5" Dia. mounting hole
- Weight: Lamphousing-3.0 lbs. (1.36 Kg.)
Transformer-3.0 lbs. (1.36 Kg.)

OPTICAL

- Lamp: FTB 20 Watt 12 Volt MR-11
FTE 35 Watt 12 Volt MR-11
- Effect: Internal Gel/Filter Slot
Adjustable Focus
Adjustable Motor Speed & Direction

ELECTRICAL

- Input Voltage: 12 Volts AC 3.0 Amp
(Unit is supplied with a Class II UL
Transformer. Input 120 Volts 60 W)

OPTIONS & ACCESSORIES

- C-Clamp
- Dichroic Filter
- External Gel/Filter Mount
- External Accessory Mount



PRECISION PROJECTION SYSTEMS, INC.
17508 STUDEBAKER ROAD, CERRITOS, CA. 90703
562 865-8552 TEL 562 924-7133 FAX
EMAIL: info@ppsfx.com